

R93
DUO

Model Named

R93
DUO

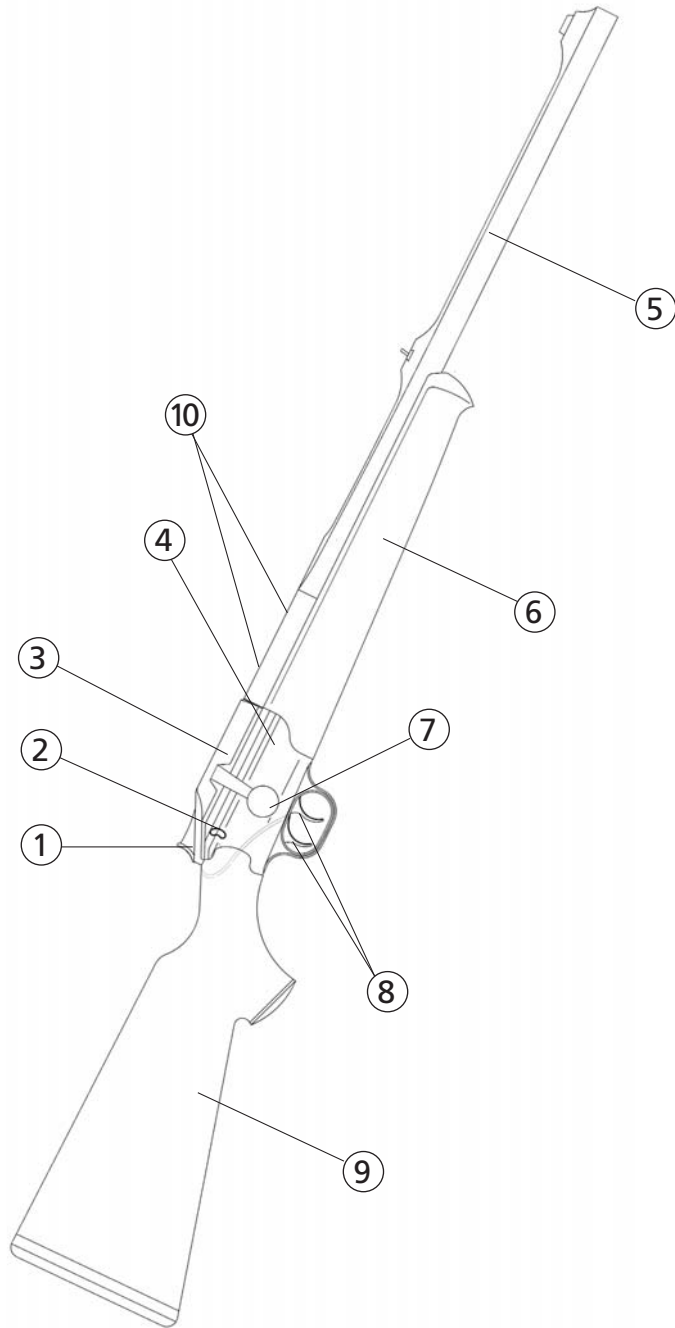
Model Named



Blaser

Blaser

Instruction Manual



Description of parts

- | | | | |
|---|--------------------------------|----|----------------------|
| 1 | Safety slides (cocking slides) | 6 | Forearm |
| 2 | Bolt Stop | 7 | Bolt handle |
| 3 | Bolt Assembly | 8 | Triggers |
| 4 | Receiver | 9 | Buttstock |
| 5 | Barrel Set | 10 | Seat for scope mount |

Contents

	Page
Description of parts	2/3
General Safety Rules	4/5
1. Assembly, Disassembly	6/7
2. Safety and Bolt Handle Lock	8/9
3. Loading the Rifle	10
4. Firing	11
5. Unloading	12
6. Removing and Installing Bolt Assembly	12
7. Exchanging Barrel Set	13
8. Exchanging the Bolt Head	14/15
9. Removal of Forearm /Exchange of Forearm	16
10. Open Sights	16
11. Mounting of Scope	17
13. Calibre Groups	18
15. Care and Maintenance	18
16. Warranty Conditions	19

General Safety Rules

Your new Blaser bolt action rifle model R 93 is characterised by special design features, making it very different from other bolt action rifles.

The enhanced safety features of your Blaser rifle should never induce you to ignore the necessary care and legal provisions with respect to handling arms. Please check first, whether you have the correct operating instructions: the model R 93 and the calibre are indicated on left side of the barrel, on its lower end.

CAUTION:

Please read these operating instructions completely, before using the rifle. Only hand on the rifle together with the operating instructions.

Please ask your specialised dealer for an in-depth explanation of your rifle and instruction in its use, as a supporting measure to these operating instructions.

General safety rules for handling firearms

- Ensure that firearm and ammunition never pass into the hands of unauthorised persons.
- Always keep firearm and ammunition separate, in a secured unit and inaccessible to unauthorised persons.
- Observe applicable legal provisions for carrying and storing arms and ammunition.
- Familiarise yourself thoroughly with the handling of your firearm and practise all functions and actions with the firearm unloaded, before starting to carry and use it.
- Consider every firearm as loaded and ready to fire, unless you have convinced yourself of the contrary by opening the action and checking the chamber (barrel). Even when unloaded, a firearm has to be handled like a loaded firearm.
- During any handling, always hold the muzzle in a direction where you can neither jeopardise nor damage persons or property.

General Safety Rules

- Before loading the firearm, always check, whether there are oil residues or other foreign matters in the chamber or barrel. Oil residues in chamber or barrel may cause distinct shifts in the point of impact! Foreign matter in the barrel (e.g. water, snow, soil) may cause a detonation of the barrel, leading to severe injuries of the shooter or persons in the vicinity! Ensure that no foreign matter can enter the barrel, also during use!
- Only use ammunition which meets the CIP requirements, in particular with regards to the maximum gas pressures P_{max} according to CIP regulations. Every Blaser rifle is controlled and tested by the state proof-house according to the requirements of the proofing-law and -regulations, using proof cartridges exceeding the maximal allowed gas pressure P_{max} by a minimum of 30%. If gas pressures exceed proof-level, the safety of the user and/or third parties can no longer be guaranteed. The same applies to cartridge cases, where the seal function is no longer correct through obturation.
- Load your firearm only immediately before use.
- Disengage from safe position (cock) your firearm only immediately before shooting. Hold barrel into a direction out of danger during disengaging (cocking).
- Check the surrounding area, before every shot.
- Point your firearm only at a target, which you have clearly identified.
- Only put your finger on the trigger, when you want to shoot.
- Only fire a shot, when a secure back stop exists.
- When a cartridge fails, wait approx. 60 seconds before opening the action, to avoid danger through hang-fire.
- Wear hearing protection during shooting.

Unload your firearm:

- before crossing obstacles,
- before climbing and leaving raised hides,
- before entering a building,
- before climbing into a vehicle,
- before entering a built area,
- and also, when you lay down or hand on the firearm temporarily.

1. Assembly, Disassembly

1.1. Assembly

- Insert barrel set into receiver, with muzzle pointing upwards, and hold it there.
- Fasten the two barrel fastening nuts hand tight with the Allen key provided (SW4). Do not use extensions!
- Insert magazine into magazine well and press it downwards.
- Carefully put bolt with the two guide slide ends onto rear end of receiver, parallel to bolt guide rail.
- Press magazine downwards and slide bolt assembly forward, into receiver.

CAUTION:

When mounting the bolt assembly, the bolt handle has always to be in its rear position. I.e. at an angle of approx. 45°. If the bolt handle is in an almost vertical position, mounting of the bolt assembly is not possible. Turn the bolt handle back into the 45°-position, until it engages.

CAUTION:

Care has to be taken during assembly, that barrel, bolt assembly and magazine are appropriate for the calibre.

1.2 Disassembly

- Push both safety slides slightly forward with your thumb (approx. 2mm); at the same time, turn bolt handle backwards with your index and middle finger (unlock), then pull bolt assembly back in a straight line.
- Unload rifle (refer to Para. 5).
- Push in bolt stop and hold it there, at the same time, pull bolt assembly out towards the back, using your other hand.
- Loosen the two barrel fastening nuts with the Allen key provided (SW4).
- Remove barrel set.



2. Safety and Bolt Handle Lock

Safety system

The safety system of the Blaser bolt action rifle model R 93 Duo is based on uncocked firing pin springs: the firing pin springs are cocked with the safety slides immediately before the shot. When repeating, the rifle is cocked again automatically.

In its secured (uncocked) position, the bolt handle is also blocked to prevent unintentional opening of the bolt assembly when moving the rifle, provided that the handle was fully closed.

2.1. Disengaging from safe position (cocking)

- Push both safety slides forward powerfully with your thumb, all the way to the stop, and lift thumb off. Doing so, the safety slides lock into their cocked position.
- Red dots become visible behind the safety slides as a signal. The rifle is now disengaged from safe position (cocked).

2.2. Returning to the safe position (locking/uncocking)

- To put the rifle on "safe", push the safety slides forward/downward with your thumb (unlocking) and let them slide back into their starting position (the red signalling dots are not visible any more).

CAUTION:

Under no circumstances should you put your fingers into the triggers when disengaging (cocking) or locking (uncocking) your rifle (you may be used to do this from rifles with exposed hammers).

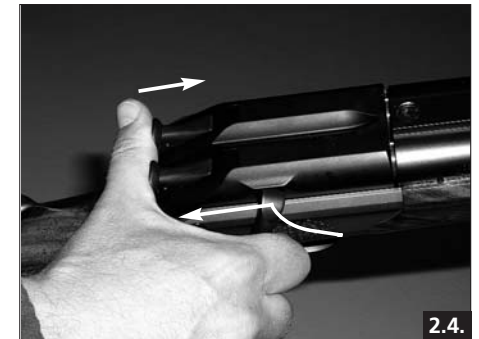
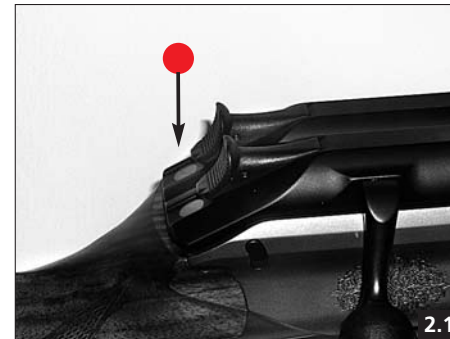
This would trigger the shots, when the rifle is loaded!

2.3. Bolt handle lock

- Prevents unintentional opening of the bolt assembly. It becomes active automatically, when the rifle is put on "safe" (uncocked) and fully locked.

2.4. Opening the locked (uncocked) rifle

- Push the safety slides slightly forward with your thumb (approx. 2mm).
- At the same time, turn bolt handle backwards with your index and middle finger (unlock), then pull bolt assembly back in a straight line.



3. Loading the Rifle

3.1. Loading

- Move safety slides (cocking slides) back (lock/uncock).
- Open bolt assembly. (Refer to Para. 2.4)
- Remove oil from barrel and chamber and check for foreign matter.
- Convince yourself under all circumstances that the ammunition corresponds with the calibre of your rifle.
- Put cartridges into the magazine and push them down through the magazine lips powerfully - if necessary with both thumbs.

Capacity of the magazine:

3 Cartridges on the left side

3 Cartridges on the right side

- Two additional cartridges can be inserted into the chamber.
- Push cartridges in magazine down with your thumb; push the bolt assembly all the way to the front with your other hand, engaging it.

PLEASE CHECK:

Red dots not visible, bolt handle in front position. The rifle is now loaded, put on "safe" (uncocked) and locked against unintentional opening.

4. Firing

CAUTION:

As long as the safety slides remain in their forward, cocked position, the bolts of the rifle will cock automatically with each repetition. When you do not want to continue shooting, lock (uncock) immediately again by letting the safety slides slide backwards.

CAUTION:

The Blaser bolt action rifle model R 93 Duo is equipped with a direct pull triggers. Its setting can and may only be changed at the factory. Please check the trigger regularly for smooth movement, with the rifle unloaded and uncocked.

Hardened oil and/or contaminations may affect proper functioning of the triggers and cause malfunctions.

4.1. Firing and repeating

- Cock the rifle by pushing the safety slides forward.
- Sight at target and fire.
- Reloading (repeating): Pull bolt assemblies at bolt handle back all the way to the stop and then push all the way forward again. (With some practise, this can be done during pointing.)

NOTE:

If the bolt handle is not pushed forward all the way to the stop, the cartridges will, for safety reasons, be unable to ignite.

WARNING:

- Do not move the safety to the „off Safe“ position until you are ready to fire.
- When you interrupt or finish firing, move the safety slides immediately backwards in the „on safe“ position.
- In only one shot is fired the assembly remains cocked. **Danger!**
- If the second shot is not fired immediately, ensure the gun is uncocked before storing!

WARNING:

- If only one shot is fired and then repeated, the shell and the live round will be extracted!
- Please secure the extracted live round and thereby ensure that it does not land in unauthorized hands.

5. Unloading

5.1. Unloading

- Lock (uncock) the disengaged (cocked) rifle by letting the safety slides move backwards with your thumb.
- Open bolt assembly and pull it back (refer to Para. 2.4), at the same time, the cartridges are extracted and ejected.
- Push cartridges remaining in the magazine forward with your thumb (or the bolt assembly), until they jump out of the magazine lips. Remove cartridges.
- Make sure that barrels and magazine are empty.

6. Removing and Installing Bolt Assembly

6.1. Removing bolt assembly

- Unload rifle.
- Pull opened bolt assembly all the way back.
- Now push bolt stop in and hold it in this position. At the same time, pull bolt assembly out towards the back, with your other hand.

6.2. Installing bolt assembly

- Push magazine in the receiver all the way down and hold it in this position.
- Carefully put bolt assembly with the two guide slide ends onto rear end of receiver, parallel to bolt guide rail.
- Slide it forward into the receiver.



7. Exchanging Barrel Set

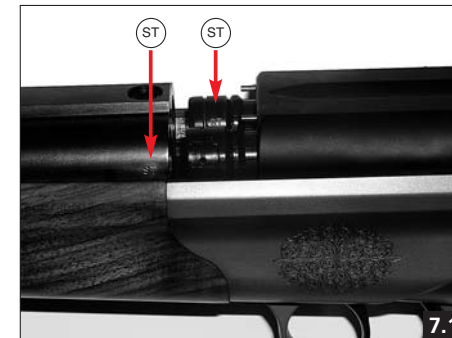
There are 2 calibre groups (refer to Table on p. 18). When changing from one calibre group to the other during a barrel exchange, the bolt head has to be changed as well, so that it corresponds to the calibre group of the interchangeable barrel set actually mounted. Please refer to the table on page 18 for proper allocation of suitable interchangeable barrel sets. Furthermore, bolt heads and barrel sets are imprinted with a symbol for the respective calibre group. These markings have to agree after assembly is completed.

Within one calibre group, barrel sets may be interchanged at random, without having to exchange the bolt head.

Calibre groups:

Standard	stamp ST
Magnum	stamp MA

Make sure that a magazine of the corresponding calibre is installed, when performing a barrel exchange. The calibre denominations are marked on the side of the magazine.



7.1. Exchanging the barrel set

- Unload rifle.
- Remove bolt assembly.
- Remove magazine (possibly, the scope has to be removed for this, refer to Para. 12.2 and/or 13.2).
- Loosen both barrel set fastening nuts completely, using Allen key (SW4). The nuts remain in their guide rails and cannot get lost.
- Lift barrel set out of receiver.
- Put exchange barrel set into its channel inside receiver.
- Fasten the two barrel set fastening nuts hand tight with the Allen key.
- Insert the magazine corresponding to the calibre of the exchange barrel set into the magazine well.
- Check, whether the calibre group marked on the bolt head ("ST", "MA", refer to Para. 7 and Fig. 7.1.) corresponds with the calibre group of the exchange barrel set.
- If the bolt head in the receiver has to be exchanged: refer to Para. 8.

NOTE:

Always ensure that the barrel set channel is clean! Excessive oil or gun grease between barrel and receiver has a negative effect on the precision of the gun.

8. Exchanging the Bolt Heads

8.1. Removing the bolt heads

You should best ask your specialised dealer for a demonstration of this process.

- Unload rifle.
- Remove bolt assembly.
- Deposit bolt assembly on a flat surface, with the lower side pointing upwards.
- Use a small screw driver or similar object to push the retaining latch to the left, and swivel it up.
- Hold the retaining latch with your thumb and index finger and push it, against the pressure of the spring, all the way to the left, until it touches the left rail. Now pull the bolt heads out towards the front, using your other hand.

8.2. Installing bolt heads

- Take the bolt heads to be newly installed and match the two cut keyways of the expanding shells and bolt head by turning the two parts against each other.
- Lift the retaining latch in the bolt housing.
- Now push the bolt heads to be installed, with the cut keyways pointing exactly upwards, over the firing pin until it touches the stop, and hold it in this position.

NOTE:

In order to facilitate threading in, you should move the firing pin nut at the back up and down with the thumb of your other hand, during this process.

- Tilt retaining latch down again and engage it against the pressure of the spring.

CAUTION:

If the retaining latch is not locked properly, a signalling pin emerges at the exterior side of the rails.

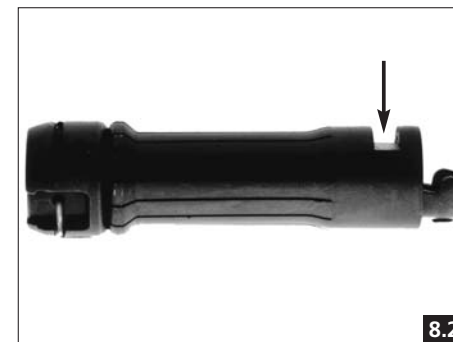
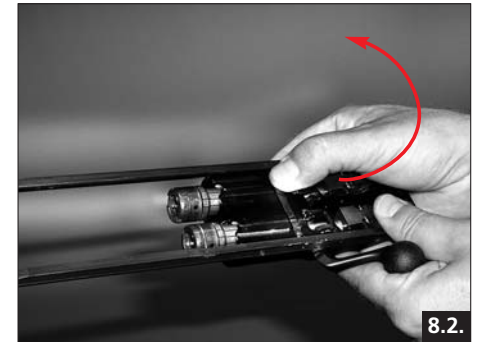
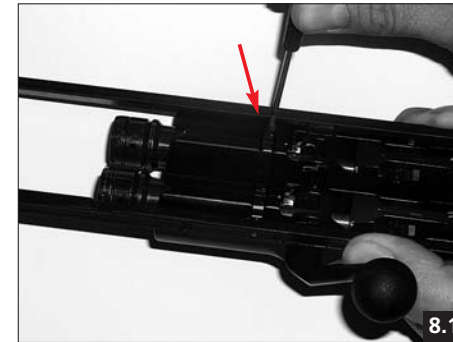
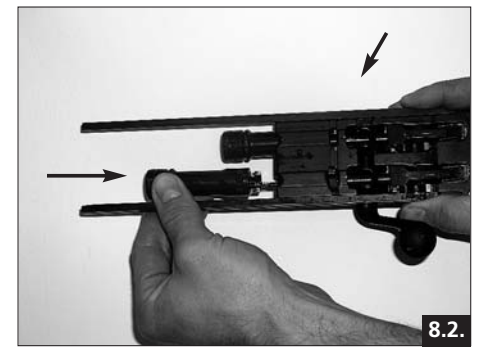
- The bolt assembly can only be inserted into the receiver, when the signalling pin has disappeared and the retaining latch has thus been locked properly.

CAUTION:

- The right bolt head ejects the shell or cartridge to the right and the description with the calibre group is marked with an „R“.
- The left bolt head ejects the shell or cartridge to the left and the description with the calibre group is marked with an „L“.
- Bolt head marked „L“ should be inserted into the left side of the bolt assembly, bolt head marked „R“ into the right side of the bolt assembly only.

CAUTION:

The expanding shells enclosing the bolt head, being an essential part of the bolt assembly, is secured with a rivet. It is strictly forbidden to loosen this rivet! Removal of the expanding shell will, when a shot is fired, inevitably cause the bolt assembly to be blown out and thus lead to lethal danger for the shooter or bystanders!



9. Removal of Forearm/ Exchange of Forearm

9.1. Removal of forearm

Loosen screw in forearm with Allen key (SW4) and pull forearm off towards the front.

Mounting forearm

Place forearm on receiver from the front and tighten screw in forearm.



10. Open Sights

10.1. Foresight with elevation adjustment

- Insert Allen key SW 1.5 into the bore of the foresight base from above, and turn Allen screw as needed:
- Foresight (spring-supported)
Turning out = shooting deeper,
Turning in = shooting higher.

10.2. Rear sight with lateral adjustment:

- Slit screw protects rear sight against lateral adjustment
- To correct left shot
Loosen slit screw, push rear sight to the right, tighten slit screw.
- To correct right shot
Loosen slit screw, push rear sight to the left, tighten slit screw.

11. Mounting of Scope

Blaser Bolt Action Rifle R 93 Duo is prepared for the R 93 Duo special mount. We assume that your scope has been correctly fitted to the assigned barrel by an authorized Blaser dealer.

11.1. Installing scope

Swivel both locking levers of the mount backwards. Insert feet of mount into the bases on the receiver. Fasten mount by swivelling locking levers forward.

11.2. Removing scope

Open locking levers of mount, one after the other. For this purpose, rotate swivelling head of locking lever forward, until locking device is lifted from the groove. Now turn the entire lever backward.

When both levers have been released, the scope can be removed by lifting it upwards.

CAUTION:

Do not use force!
Please ensure that the engaging surfaces are clean!

CAUTION:

If the distance between eye and scope is too short and if the rifle is not seated correctly at your shoulder, injuries are not to be excluded when shooting with large calibres. Especially in case of big calibres, care has to be taken that the distance between scope and eye is appropriate and that the rifle is seated correctly at the shoulder.



12. Calibre Groups

Calibre groups: Calibre:

Standard „ST“:	.243 Win. .308 Win. .30-06 9,3x62
Magnum „MA“:	.300 Win. Mag. .375 H & H .416 Rem. Mag.

13. Care and Maintenance

Only use products for the care of your rifle, which are destined for this purpose.

Barrel set: Polish exterior and interior of chambers and barrels with a suitable gun oil after shooting, before storing the rifle for prolonged periods of time, and after carrying the rifle, especially in humid or wet conditions. Prior to shooting, barrels and chambers have to be thoroughly de-oiled again. In case of thick deposits of bullet residues, we recommend to use chemical barrel cleaners.

CAUTION:

Under all circumstances, observe instructions and warnings given by the product manufacturer for use of product.

Metal parts: Keep all metal parts of the rifle clean and slightly oiled at all times.

Stock preservative is not suitable for polishing metal parts!

Stocks: All wooden stocks of Blaser hunting rifles are oil-rubbed. We recommend to polish them regularly with standard stock care products.

Gun oil is not suitable for stock care!

Optics: Please refer to care instructions of the optics manufacturer.

CAUTION:

When oiling hunting rifles, care has to be taken that no oil or grease gets into the trigger and action system. Under certain conditions, oil and grease can resinify (harden), causing dangerous disruptions of functioning. Please have your rifle checked by your specialised dealer prior to each hunting season or hunting trip. Every rifle is a piece of technical equipment requiring regular checks.

14. Warranty Conditions

1. Manufacturer's warranty

Warranty of Blaser Jagdwaffen GmbH is provided in addition to statutory warranty claims by dealers, provided, that the enclosed firearms certificate is filled in completely and received by Blaser Jagdwaffen GmbH within ten days after the date of sale. Warranty is provided exclusively for the first purchaser having his residence in the country of purchase.

The warranty applies to the metal and plastic parts of the rifle only, including original Blaser rifle scope mounts, but not the rifle scope. Wooden parts of the rifle require special care and, being natural products, are subject to natural changes. Warranty for wooden parts is excluded.

The warranty period amounts to ten years, starting with the date of sale. It includes any defects of and damages to the rifle (metal and plastic parts), which are proven to be due to faulty material or manufacturing. Within this framework, the manufacturer shall bear the costs for material and working time. For performance of work under this warranty, the rifle has to be returned to the specialised dealer or the production company in Isny.

Risk and costs of transportation of the rifle (outward and return) shall be borne by the customer. Warranty is performed in the discretion of manufacturer by repair or replacement of defective parts; replaced parts pass into manufacturer's property.

2. Warranty for gun efficiency

The firing precision of a gun depends on a multitude of factors. The most important factor is the ammunition. Not every barrel fires equally well with every type of ammunition, there may be considerable differences in efficiency. The scope and its mount are of the same importance. Parallax, loose reticles, defects in reticle adjustment and faulty mounting are the most common causes for unsatisfactory gun efficiency. For these reasons, you should use branded scopes, mounted by a specialist, and you should tune in the ammunition to your rifle by testing several types of ammunition.

Ammunition of the same make and charge may exhibit different efficiency and impact point characteristics from one manufacturing run to the other and from one rifle to the other. When the optimum of ammunition, rifle scope and mount were selected, we provide a warranty for the excellent efficiency of our rifles. Complaints regarding gun efficiency have to be brought forward in writing within 20 days after the date of sale. We reserve the right to submit the rifle to an independent institution for verification (DEVA or Staatliches Beschussamt) [government proofhouse]. If excellent gun efficiency is confirmed there, we are entitled to claim the costs incurred for the tests from customer.

3. Scope of warranty

Work performed under warranty does not cause any prolongation or renewal of the warranty period for the rifle or built in spare parts. The warranty period for installed spare parts ends at the same time as the warranty period for the entire rifle.

4. Guarantee exclusion

The guarantee shall be excluded with:

- Damage that is caused as the result of normal wear and tear, with non-observance of the operating instructions or improper use or handling and if the gun shows mechanical damages of any kind.
- Damages that are the result of force majeure or environmental influences
- Repairs, treatment or changes to the gun performed by third parties
- Use of reloaded or non-CIP-permitted ammunition
- Blueing carried out by a third party

The guarantee does not apply for optical sight equipment and telescopic sight mounts of manufacturers other than Blaser Jagdwaffen GmbH. More extensive or other claims, especially those that refer to compensation for damages that go beyond the gun itself (consequential damages) shall be excluded (provided liability is not legally ordered as compulsory).